



MUTUAL INSURANCE SERVICES  
 PO Box 6109  
 Federal Way, WA 98063-6109  
 1-800-247-5851, (253) 941-4099  
 Fax 1-877-329-9647, (253) 941-4815

# Wood Stove Questionnaire

Policy No. \_\_\_\_\_ Insured: \_\_\_\_\_

## Stove

## Stovepipe & Chimney

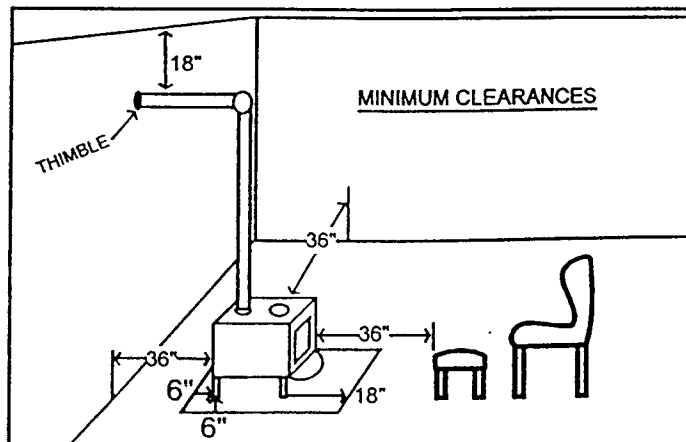
1. Was stove installed by licensed contractor according to building codes?  Yes  No If yes, provide either a copy of the contractor's invoice or a copy of the signed-off building permit.
2. Was stove installed by the insured or previous owner according to building codes?  Yes  No If yes, provide a copy of a current inspection report from the local fire department, local building inspector or a certified chimney inspector.
3. Is the unit a wood stove, fireplace insert, or fireplace?  
\_\_\_\_\_
4. Is the stove the primary heat source in the dwelling?  
 Yes  No
5. Of what material is the floor or the floor covering directly under the stove?  
\_\_\_\_\_
6. What are the following distances in inches of:  
the stove to the nearest wall? \_\_\_\_\_  
the stove to the floor? \_\_\_\_\_
7. What is the construction of the nearest wall?  
Masonry  Frame/Wallboard  Wood  If wood or frame/wallboard, is there a non-combustible heat shield on non-combustible spacers installed on the wall?  Yes  No
8. How far beyond the edges of the stove does the under-stove protection extend in inches?  
Front \_\_\_\_\_ Rear \_\_\_\_\_  
Rt. Side \_\_\_\_\_ L. Side \_\_\_\_\_

1. Is the stove vented to the outside? Yes  No
2. If 1 above is yes, does the pipe pass thru the wall behind the stove?  
Yes  No  Or thru ceiling? Yes  No
3. If thru back combustibile wall, does pipe pass thru a thimble or thru a dead space with no combustibile materials within 18 inches?  
Yes  No
4. If thru the ceiling, does it pass thru any attic or concealed space?  
Yes  No
5. Does the stovepipe attach outside to a chimney?  
Yes  No
6. If chimney is metal, is it double or triple wall construction?  
Yes  No
7. Is chimney free of rust? Yes  No  and with no holes or perforations? Yes  No
8. Do all pipe connections inside and outside fit snugly?  
Yes  No
9. Date of last chimney cleaning? \_\_\_\_\_  
If available, provide a copy of paid receipt or certificate.

**IMPROPERLY INSTALLED & MAINTAINED WOOD STOVES CAN AND DO CAUSE HOUSE FIRES!**

Shown to the right is an example of a typical stove installation, vented thru the rear wall.

CLEARANCES SHOWN ARE MINIMUM ON ALL INSTALLATIONS NEAR A COMBUSTIBLE WALL. These clearances can be less *only* if the wall is protected or of masonry construction.



I have read the above and I declare that, to the best of my knowledge and belief, all the foregoing statements are true.

Signature: \_\_\_\_\_ Title: \_\_\_\_\_ Date: \_\_\_\_\_